



ZT/E

Immersion sleeve

Measuring size: -

Output: -

Highlights: brass sleeve Pmax. 16 bar, stainless steel sleeve Pmax. 40 bar



Description

Under the type ZT/E you can find immersion sleeves and installation flanges as accessories for the temperature sensors. The immersion sleeves are produced as brass and stainless steel. The brass types are suitable for the use in not aggressive media, with a pressure load up to 16 bar and +150°C of medium temperature. The stainless steel immersion sleeve have an expanded pressure area up to 40 bar and can be used for a temperature area up to +600°C.

Technical Specifications

Material	Immersion sleeve: stainless steel VA 1.4404 or brass nickel plated
Pressure resistance	Immersion sleeve stainless steel: Pmax. 40 bar with G1/2 inch; Immersion sleeve brass: Pmax. 16 bar with R1/2 inch
Dimensions	Immersion sleeve brass: outside Ø 8 mm / inside Ø 6,5 mm, thread R1/2 inch; Immersion sleeve stainless steel: outside Ø 9 mm / inside Ø 6,2 mm, thread G1/2 inch
Working temperature	Immersion sleeve stainless steel: Tmax. +600°C, Immersion sleeve brass: Tmax. +150°C
Installation	screw-in thread



Variants

Article Number			
Compressive strength	Material	Installation length	Working temperature
ZT/E-ES0.5			
40 bar	stainless steel	50 mm	Tmax. +600°C
ZT/E-ES1			
40 bar	stainless steel	100 mm	Tmax. +600°C
ZT/E-ES1.5			
40 bar	stainless steel	150 mm	Tmax. +600°C
ZT/E-ES2			
40 bar	stainless steel	200 mm	Tmax. +600°C
ZT/E-ES2.5			
40 bar	stainless steel	250 mm	Tmax. +600°C
ZT/E-ES3			
40 bar	stainless steel	300 mm	Tmax. +600°C
ZT/E-ES3.5			
40 bar	stainless steel	350 mm	Tmax. +600°C
ZT/E-ES4			
40 bar	stainless steel	400 mm	Tmax. +600°C
ZT/E-MS0.5			
16 bar	brass	50 mm	Tmax. +150°C
ZT/E-MS1			
16 bar	brass	100 mm	Tmax. +150°C
ZT/E-MS1.5			
16 bar	brass	150 mm	Tmax. +150°C
ZT/E-MS2			
16 bar	brass	200 mm	Tmax. +150°C
ZT/E-MS2.5			
16 bar	brass	250 mm	Tmax. +150°C
ZT/E-MS3			
16 bar	brass	300 mm	Tmax. +150°C
ZT/E-MS3.5			
16 bar	brass	350 mm	Tmax. +150°C
ZT/E-MS4			
16 bar	brass	400 mm	Tmax. +150°C



Accessories



TF4/E

Immersion Temperature Sensor with Housing and Flexible Silicone Cable



TF1/E

Immersion Temperature Sensor with Housing



TF8/E

Immersion Temperature Sensor with M12 Plug Connector



TF5/E

Immersion Temperature Sensor with Silicone Cable



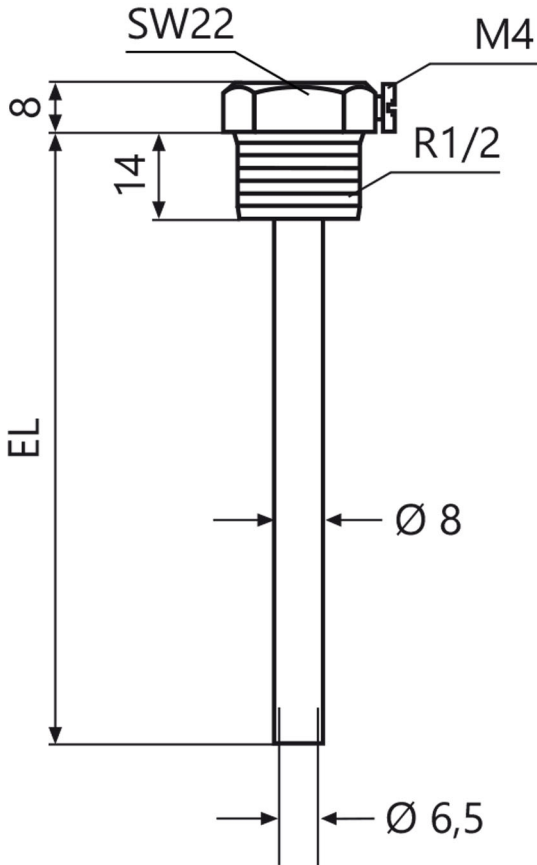
TF7/E

Immersion Temperature Sensor with Plug Connector DIN EN 175301



Dimensional Drawing

ZT/E-MS



ZT/E-ES

